

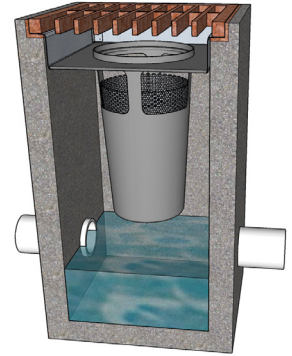
# The WATER DECONTAMINATOR

Trash Capture Catch Basin Insert

Patented

[www.iriproducts.com](http://www.iriproducts.com)

The following information is required for proper installation of the Water Decontaminator. Trash Capture Unit Indicate whether grate style is 1, 2 or 3. Then measure all required dimensions of grate and catch basin.



Company: \_\_\_\_\_

Name: \_\_\_\_\_

Phone: \_\_\_\_\_

Email: \_\_\_\_\_

GR-L: Grate length \_\_\_\_\_

GR-W: Grate width \_\_\_\_\_

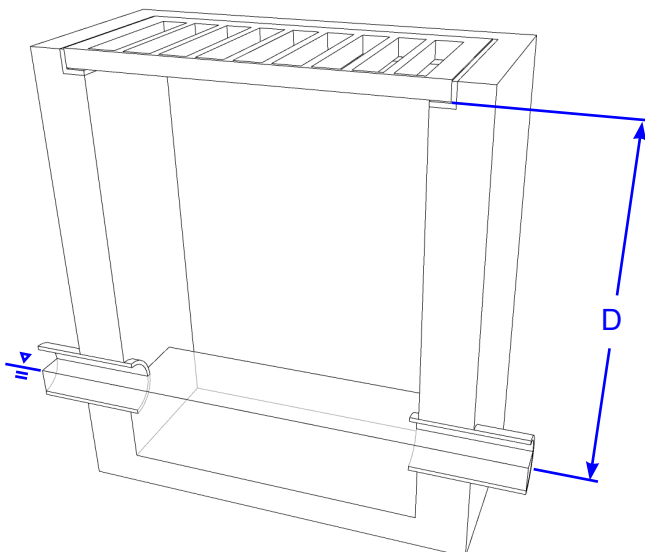
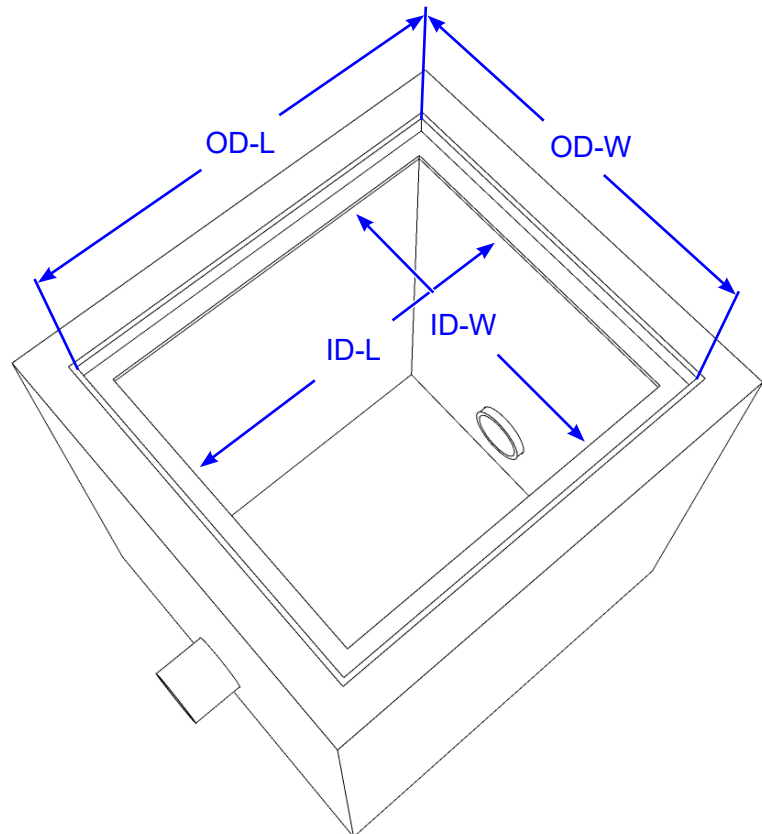
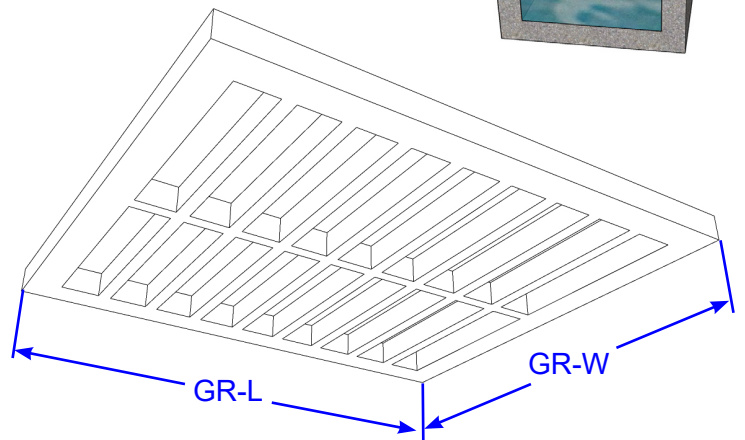
OD-L: Outside length of lip \_\_\_\_\_

OD-W: Outside width of lip \_\_\_\_\_

ID-L: Inside length of opening \_\_\_\_\_

ID-W: Inside width of opening \_\_\_\_\_

D: Depth of catch basin \_\_\_\_\_



Inventive Resources, Inc.  
P.O. Box 1316 • 5038 Salida Blvd. Salida, CA 95368  
Phone (888) 285-6158 • Fax (209) 545-3533 • email: [info@iriproducts.com](mailto:info@iriproducts.com)

Rev 022019