

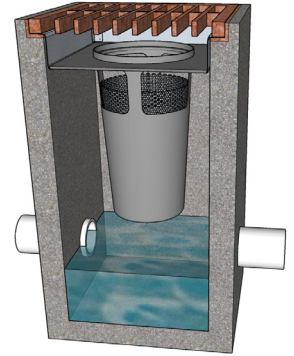
The WATER DECONTAMINATOR

Trash Capture Catch Basin Insert

Patented

www.iriproducts.com

The following information is required for proper installation of the Water Decontaminator Trash Capture Unit. Indicate whether grate style is 1, 2 or 3. Then measure all required dimensions of grate and catch basin.



Company: _____

Name: _____

Phone: _____

Email: _____

OD-L: Outside length of lip _____

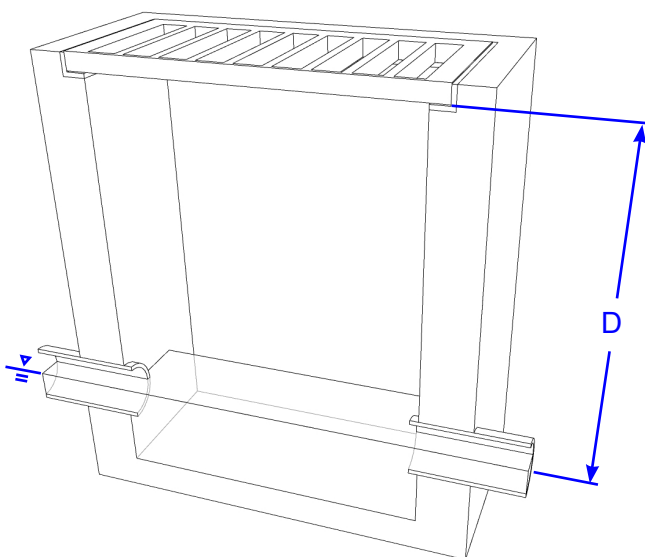
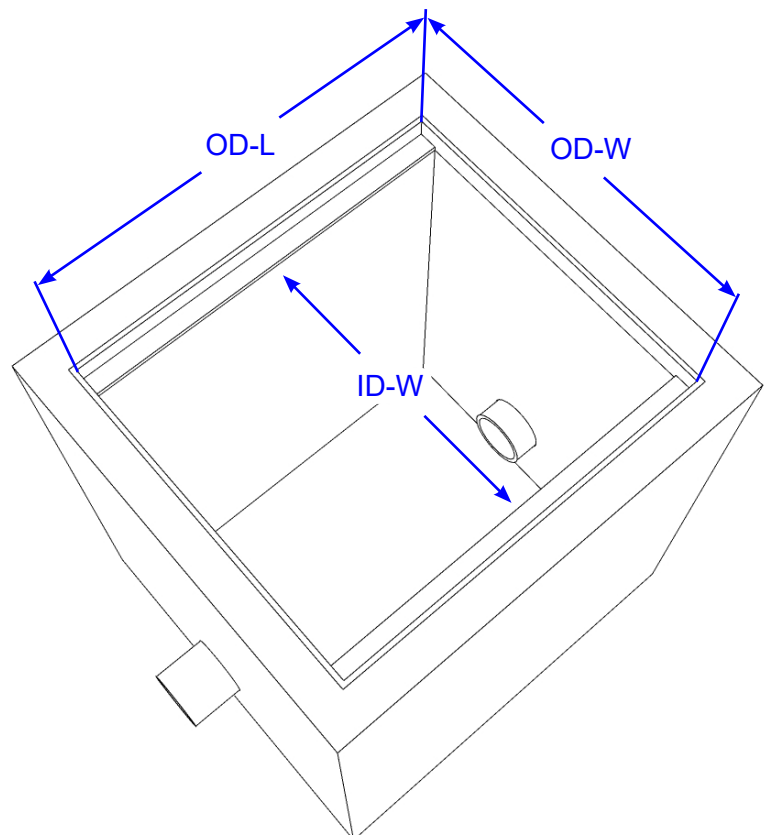
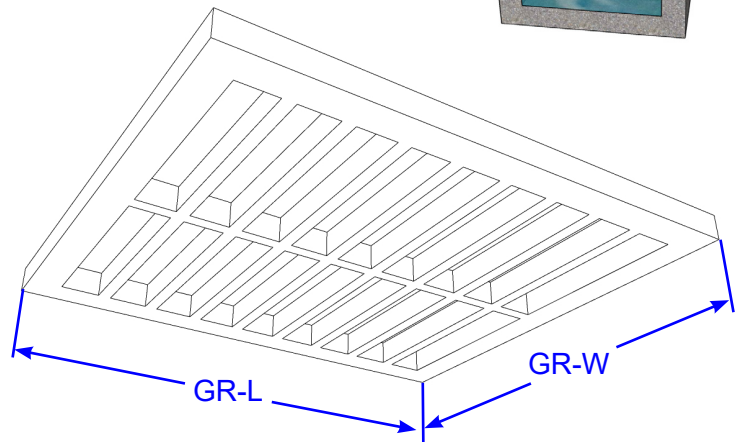
OD-W: Outside width of lip _____

ID-W: Inside width of opening _____

GR-L: Grate length _____

GR-W: Grate width _____

D: Depth of catch basin _____



Inventive Resources, Inc.
P.O. Box 1316 • 5038 Salida Blvd. Salida, CA 95368
Phone (888) 285-6158 • Fax (209) 545-3533 • email: info@iriproducts.com

Rev 022019